

RQB

Ceramic Encased Wire Wound Resistors

RoHS
COMPLIANT

GENERAL SPECIFICATIONS

| Model | Wattage Rating | Resistance Range(Ω) | | | Resistance Tolerance |
|--------|----------------|------------------------------|-------------------|-----------------------|--|
| | | Glass Fiber Core (GC) | Ceramic Core (CC) | Metal Oxide Film (MO) | |
| RQB 05 | 5W | 0.1~500 | 0.1~3.0K | 10~27K | $R \leq 1\Omega : \pm 10\%$ $R > 1\Omega : \pm 5\%$ |
| RQB 07 | 7W | 0.2~1.0K | 0.3~5.0K | 10~56K | |
| RQB 10 | 10W | 0.5~1.5K | 0.3~10K | 10~75K | |
| RQB 15 | 15W | 1.0~1.5K | 0.5~12K | 10~100K | |
| RQB 20 | 20W | 1.0~2.0K | 0.5~15K | 10~100K | |

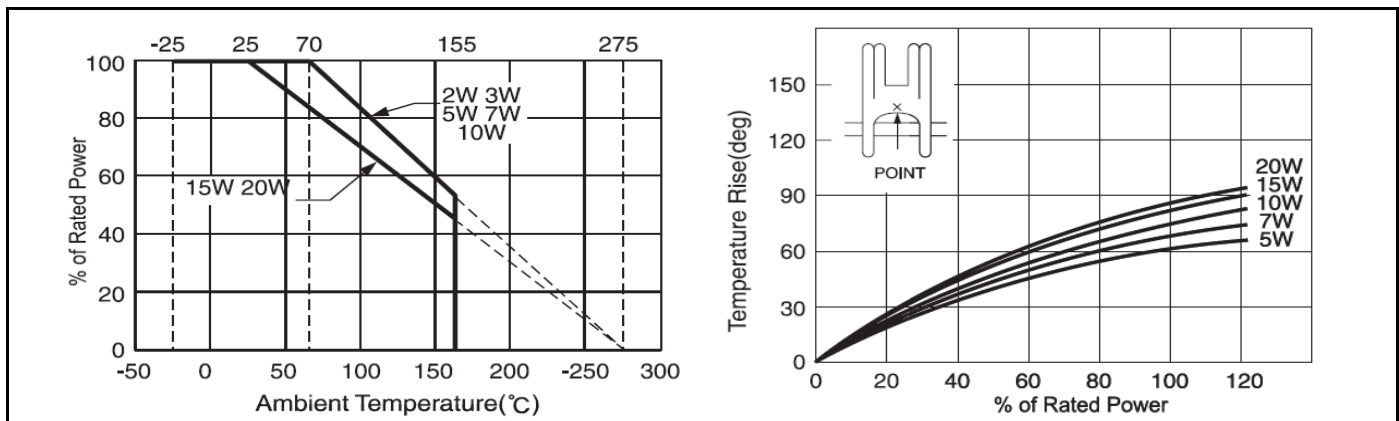
CHARACTERISTICS

 Values in [] mean change in Ω after test

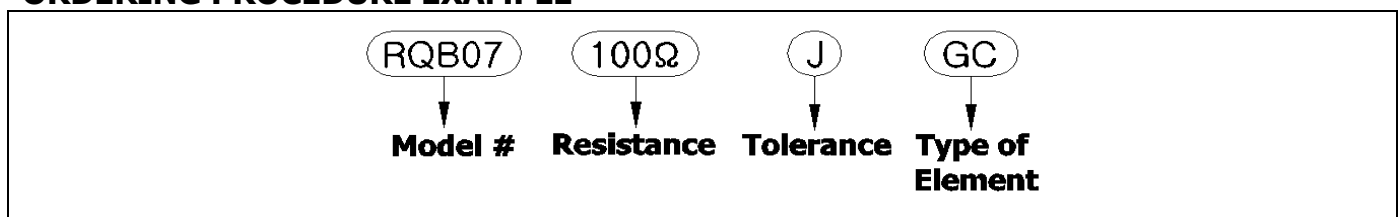
| | | |
|---------------------------------|---|--|
| Temperature Range | -25 $^{\circ}$ C~155 $^{\circ}$ C | |
| Insulation Resistance | DC500V, 20M Ω Minimum | |
| Dielectric Withstanding Voltage | AC 1500V for 1minute | |
| Temp. Coefficient | GC, CC : ± 260 ppm/ $^{\circ}$ C ; MO : ± 400 ppm/ $^{\circ}$ C | |
| Short Time Overload | $\Delta R \pm [2\% + 0.05\Omega]$ | 10 Times rated power for 5 sec. |
| Moisture Resistance | $\Delta R \pm [3\% + 0.05\Omega]$ | DC 100V, 40 $^{\circ}$ C 95% RH, 500h |
| Thermal Shock | $\Delta R \pm [2\% + 0.05\Omega]$ | Power Rating 30 min., -25 $^{\circ}$ C 15min. |
| Moisture Load Life | $\Delta R \pm [3\% + 0.05\Omega]$ | 40 $^{\circ}$ C 95% RH, 10% Power Rating 90min.-ON, 500H |
| Load Life | $\Delta R \pm [5\% + 0.05\Omega]$ | Power Rating 90min.-ON, 30min.-OFF, 500H |
| Solder ability | 75% Coverage minimum | |

Note : Applied voltage : AC RMS voltage

SURFACE TEMPERATURE INCREASE VERSUS POWER LOAD & DERATING CURVE



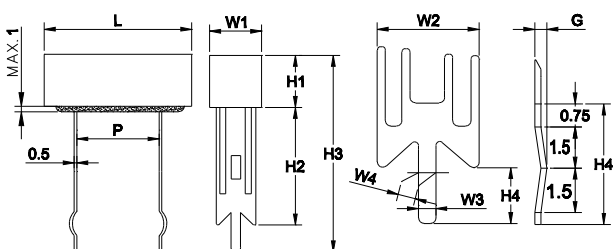
ORDERING PROCEDURE EXAMPLE



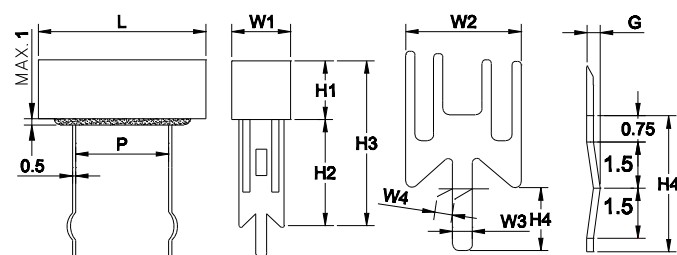
■ RQB(s, s3) DIMENSIONS

| Power Rating | | Dimensions(mm) | | | | | | | | | | |
|--------------|----|----------------|----------|----------|---------|---------|---------|----------|---------|------|---------|-----|
| | | L | P | W1 | W2 | W3 | W4 | H1 | H2 | H3 | H4 | G |
| 5W | S | 27±1.5 | 15±1.5 | 9.5±1 | 7.5±0.3 | 1.4±0.2 | 1.6±0.2 | 9.5±1 | 25+1,-2 | 39±2 | 4.5±0.5 | 1.1 |
| | S3 | | | | | | | | 12+1,-2 | 25±2 | | |
| 7W | S | 35±1.5 | 22.5±1.5 | 9.5±1 | 7.5±0.3 | 1.4±0.2 | 1.6±0.2 | 9.5±1 | 25+1,-2 | 39±2 | 4.5±0.5 | 1.1 |
| | S3 | | | | | | | | 12+1,-2 | 25±2 | | |
| 10W | S | 48±1.5 | 35±1.5 | 9.5±1 | 7.5±0.3 | 1.4±0.2 | 1.6±0.2 | 9.5±1 | 25+1,-2 | 39±2 | 4.5±0.5 | 1.1 |
| | S3 | | | | | | | | 12+1,-2 | 25±2 | | |
| 15W | S | 48±2 | 32.5±1.5 | 12.5±1.2 | 10±0.5 | 2.5±0.2 | 2.7±0.2 | 12.5±1.2 | 27+1,-2 | 45±2 | 5.5±0.5 | 1.1 |
| | S3 | | | | | | | | 15+1,-2 | 33±2 | | |
| 20W | S | 63±2 | 47.5±2 | 12.5±1.2 | 10±0.5 | 2.5±0.2 | 2.7±0.2 | 12.5±1.2 | 27+1,-2 | 45±2 | 5.5±0.5 | 1.1 |
| | S3 | | | | | | | | 15+1,-2 | 33±2 | | |

<s-STYLE>



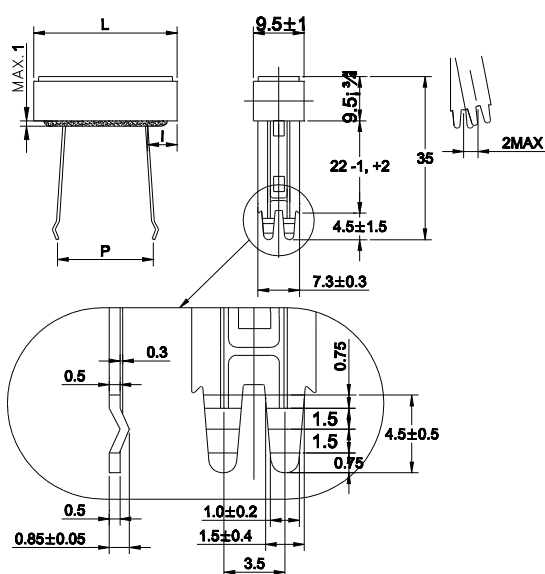
<s3-STYLE>



■ RQB(d) DIMENSIONS

| Power Rating | Dimensions(mm) | | | | |
|--------------|----------------|--------|----------|-----------|----------|
| | L | W | H | P | ℓ |
| 5W | 27±1.5 | 9.5±1 | 9.5±1 | 15+6,-2 | 6±1.5 |
| 7W | 35±1.5 | 9.5±1 | 9.5±1 | 22.5+6,-2 | 6.25±1.5 |
| 10W | 48±1.5 | 9.5±1 | 9.5±1 | 35+6,-2 | 6.5±1.5 |
| 15W | 48±2 | 12.5±1 | 12.5±0.2 | 32+4,0 | 7.5±1.5 |

<d-STYLE>(5-10W)



<d-STYLE>(15W)

